

Safety Alert

From the International Association of Drilling Contractors

ALERT 02 – 37

HANDLING “BIG DRILLING FLUID CHEMICAL BAGS”

WHAT HAPPENED:

We continue to see the manual handling of big bags for materials on our rigs. This is a reminder of the fatality that occurred last year using big bags.

WHAT CAUSED IT:

The big bags are very unstable.

CORRECTIVE ACTIONS: To address this incident, this company did the following:

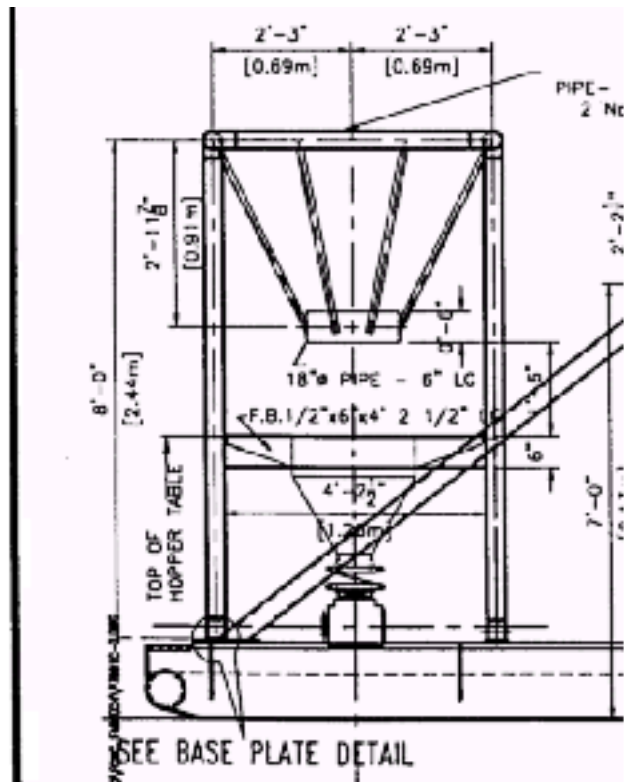
A resting cradle or seat capable of handling the weight of the bags being used on each rig was designed by the company engineering department.

This cradle must be placed over the mixing hopper on all rigs so that the bags will be caught by the cradle if the bag does fall.

At no time are employees to be within 2 meters horizontally of any Big Bags while they are being lifted.

Only when the bag is in the protection of the hopper cradle can an employee approach to open bag.

IADC Note: This is a follow up to alert 01 – 32.



The Corrective Actions stated in this alert are one company's attempts to address the incident, and do not necessarily reflect the position of IADC or the IADC HSE Committee.

This material is presented for information purposes only. Managers & Supervisors should evaluate this information to determine if it can be applied to their own situations and practices.
Copyright © 2002 International Association of Drilling Contractors. All Rights Reserved
Issued August 2002